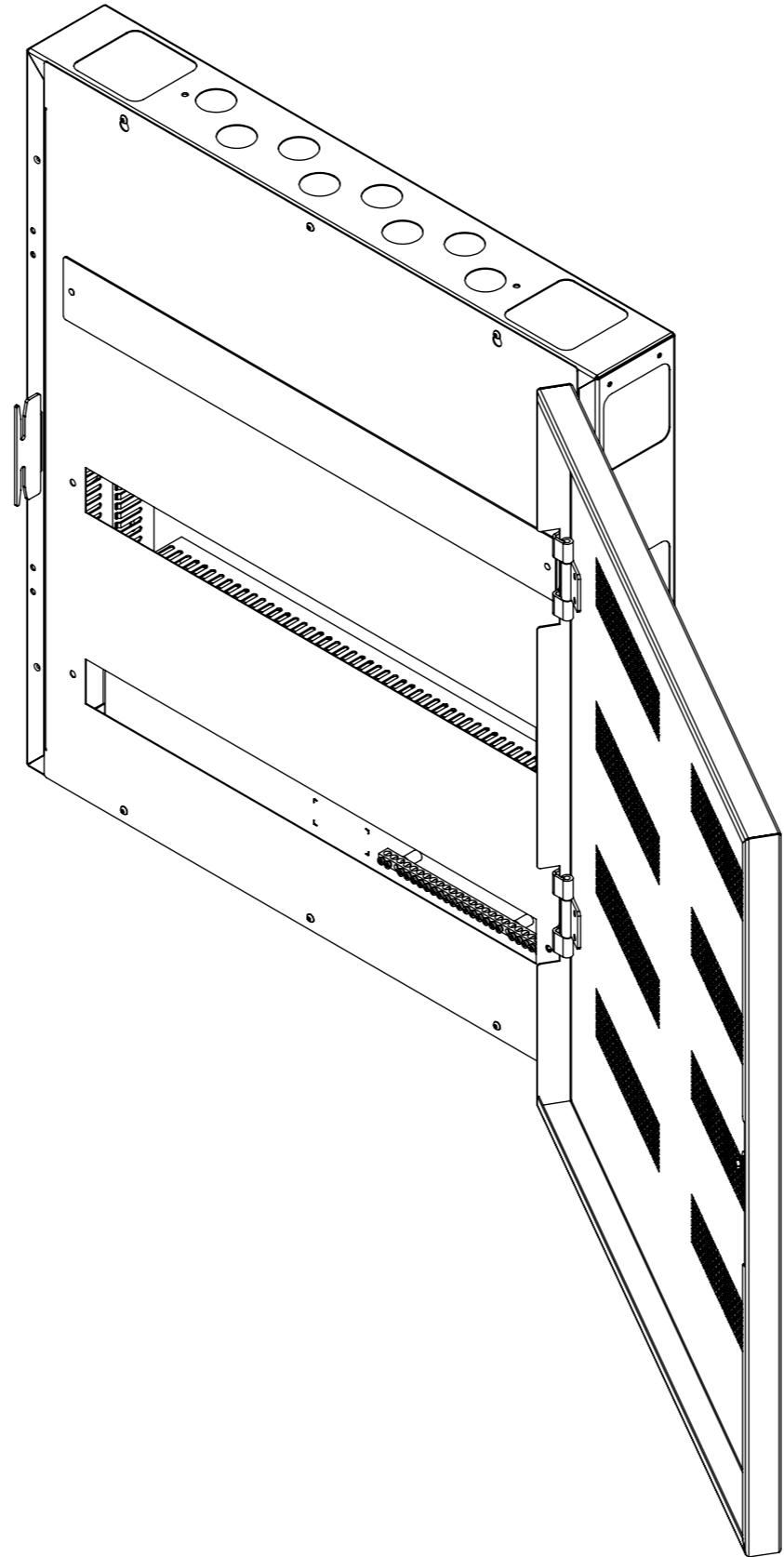


# LXN3

## LOXONE CONTROL PANEL - 3 RAIL



future automation



# LXN3

## LOXONE CONTROL PANEL - 3 RAIL



future automation

SPECIFICATION	MEASUREMENTS
Product Dimensions	750mm (27.6") x 690mm (27.2") x 141.5mm (5.6")
Number of DIN Rails	3
Finish (Custom Available)	Lid - Black Textured Paint, Box - Zintec Coated Steel
Depth From Wall	141.5mm (5.6")
Wall Mount Type	80mm (3.1") Keyhole Slots
Shipping Dimensions	860mm (33.9") x 840mm (33.0") x 240 (9.5")
Shipping Weight	22Kg (49lbs)

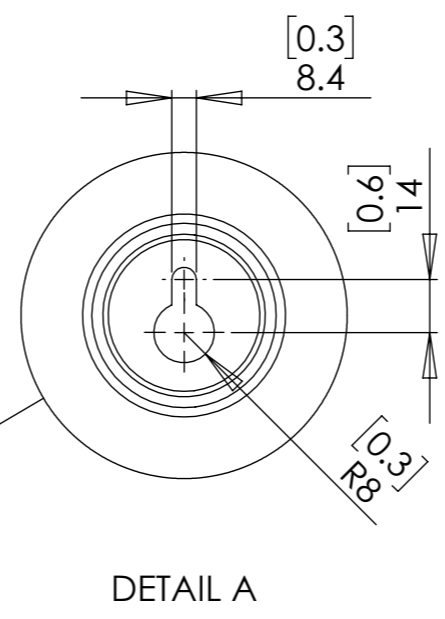
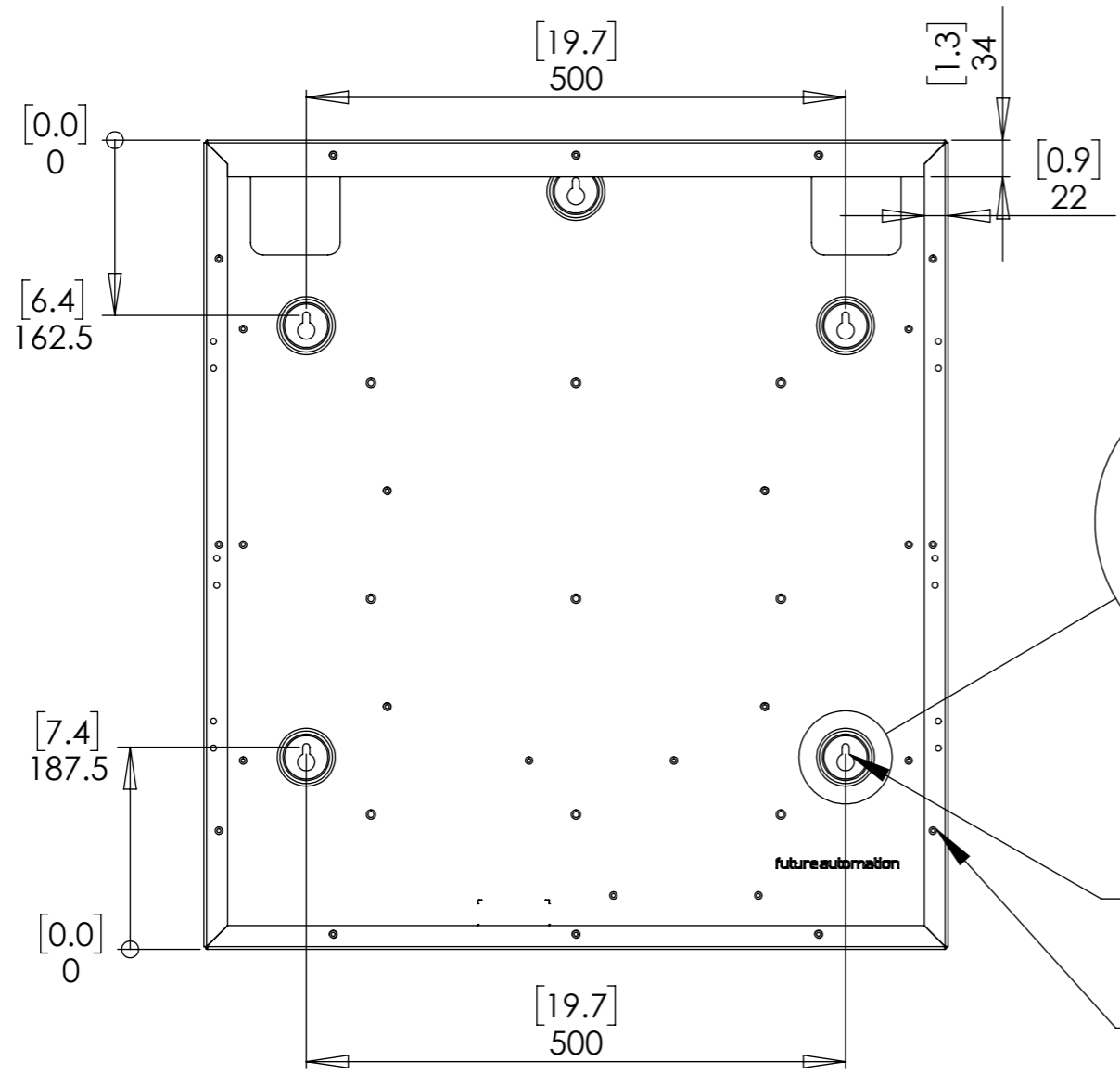
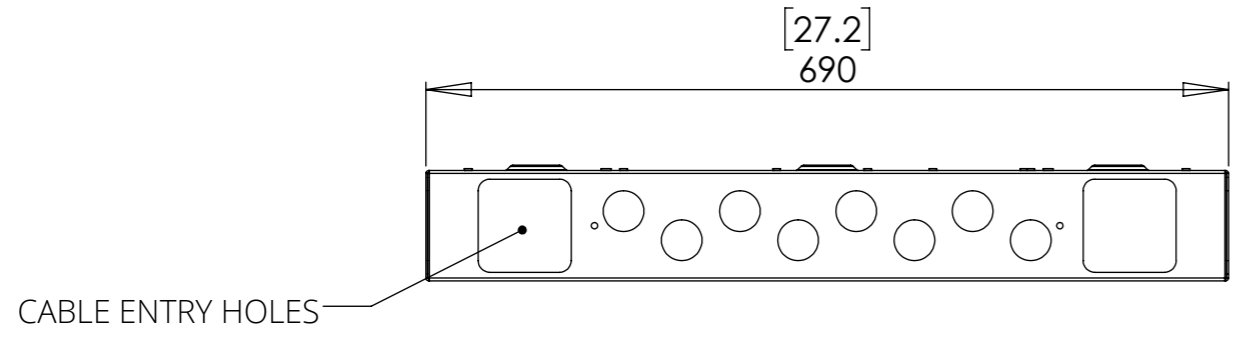
# LXN3

# LOXONE CONTROL PANEL - 3 RAIL



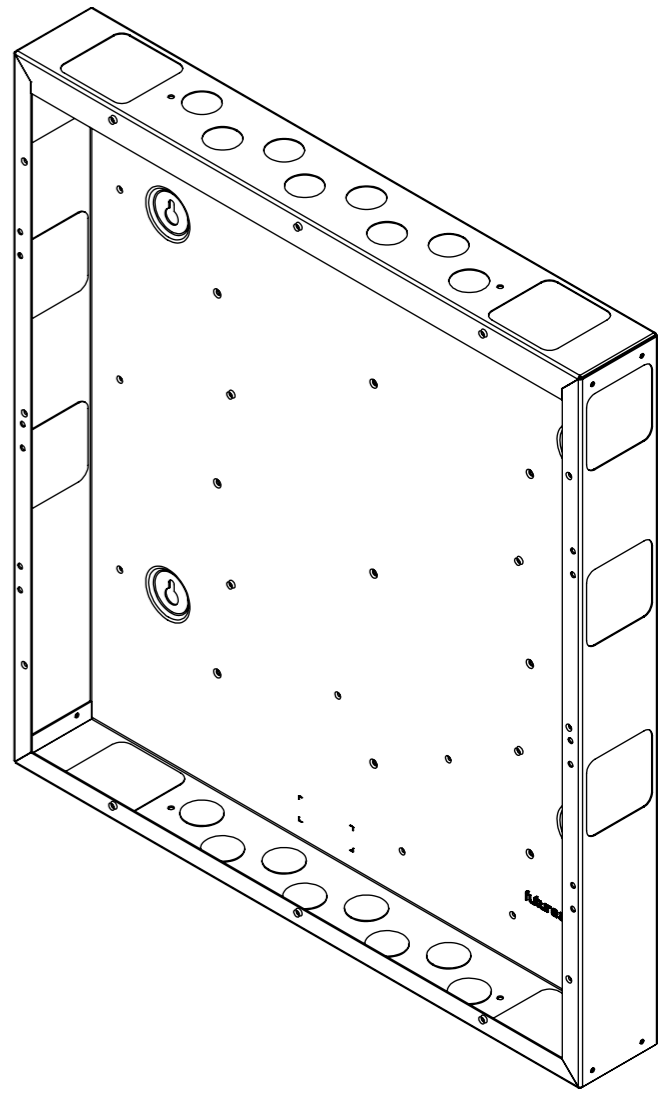
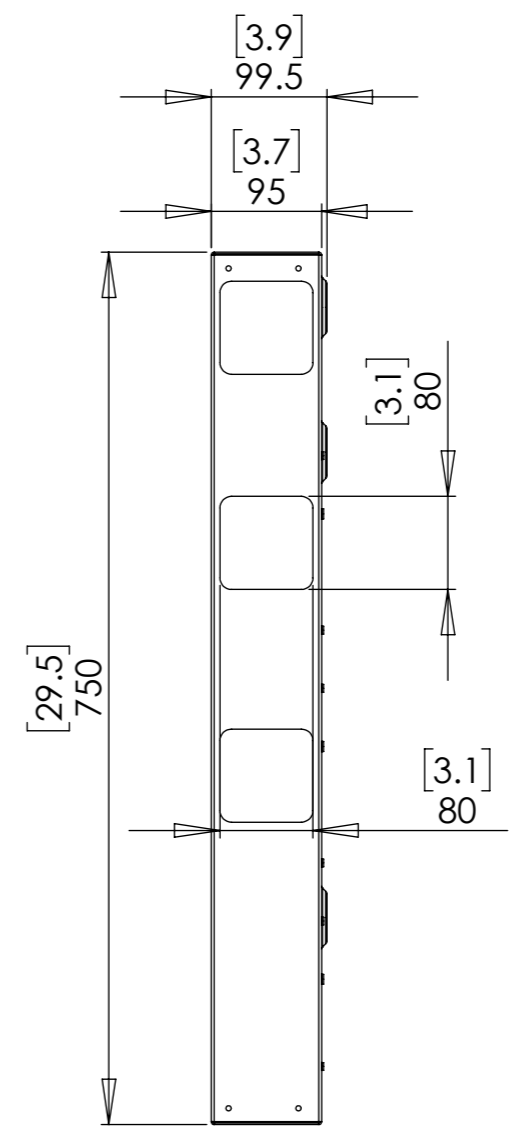
future automation

## ENCLOSURE DIMENSIONS



KEY HOLE SLOTS FOR EASY MOUNTING AND INSTALLATION

COVER FIXING HOLES X12

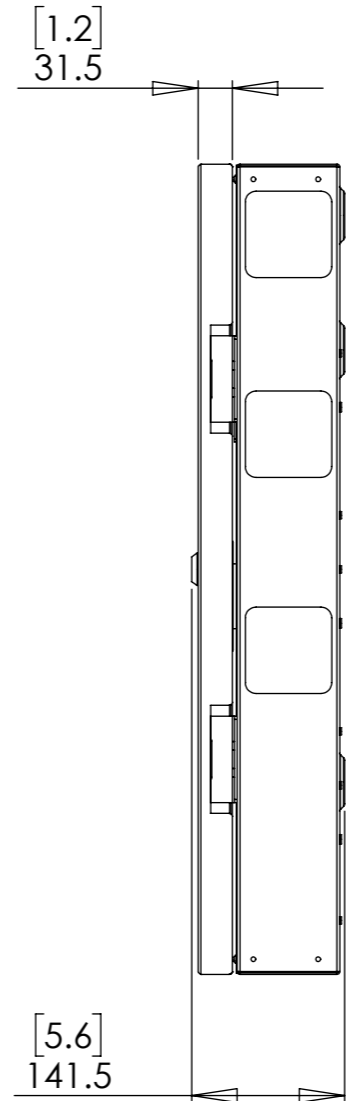
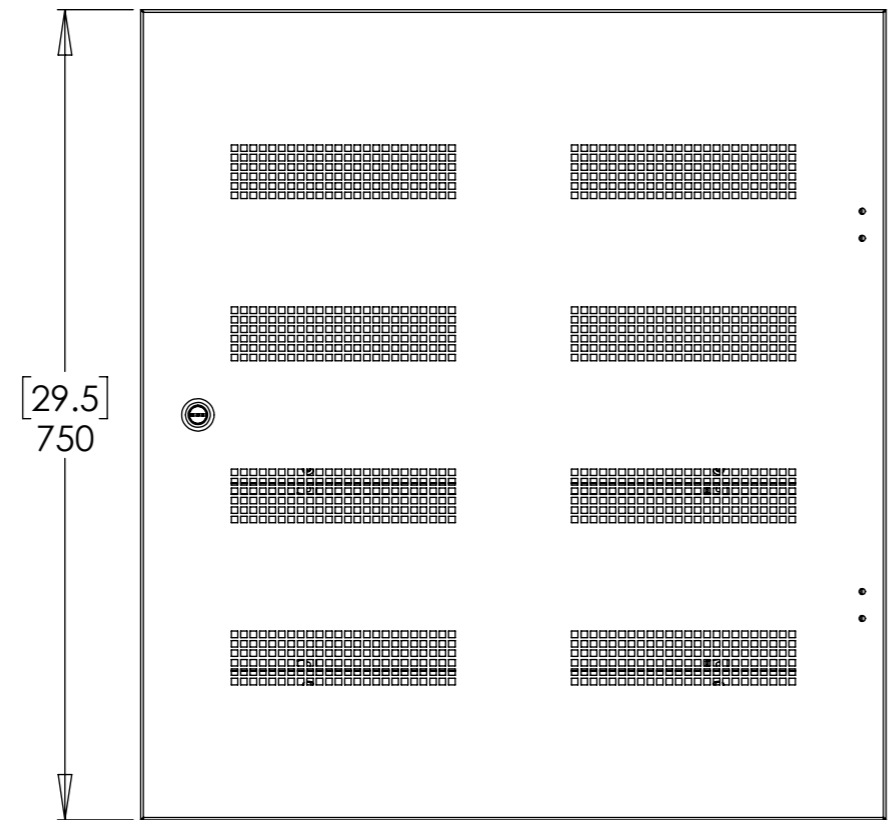
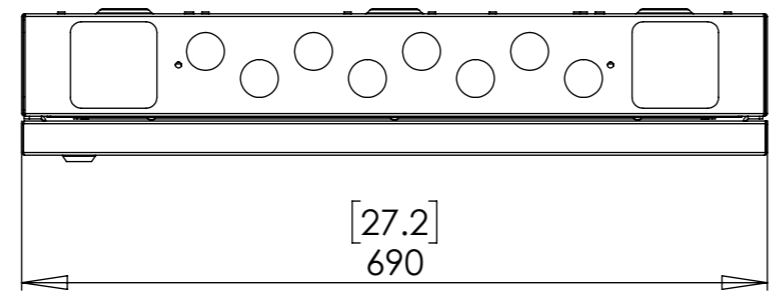


# LXN3

## LOXONE CONTROL PANEL - 3 RAIL



### OVERALL DIMENSIONS



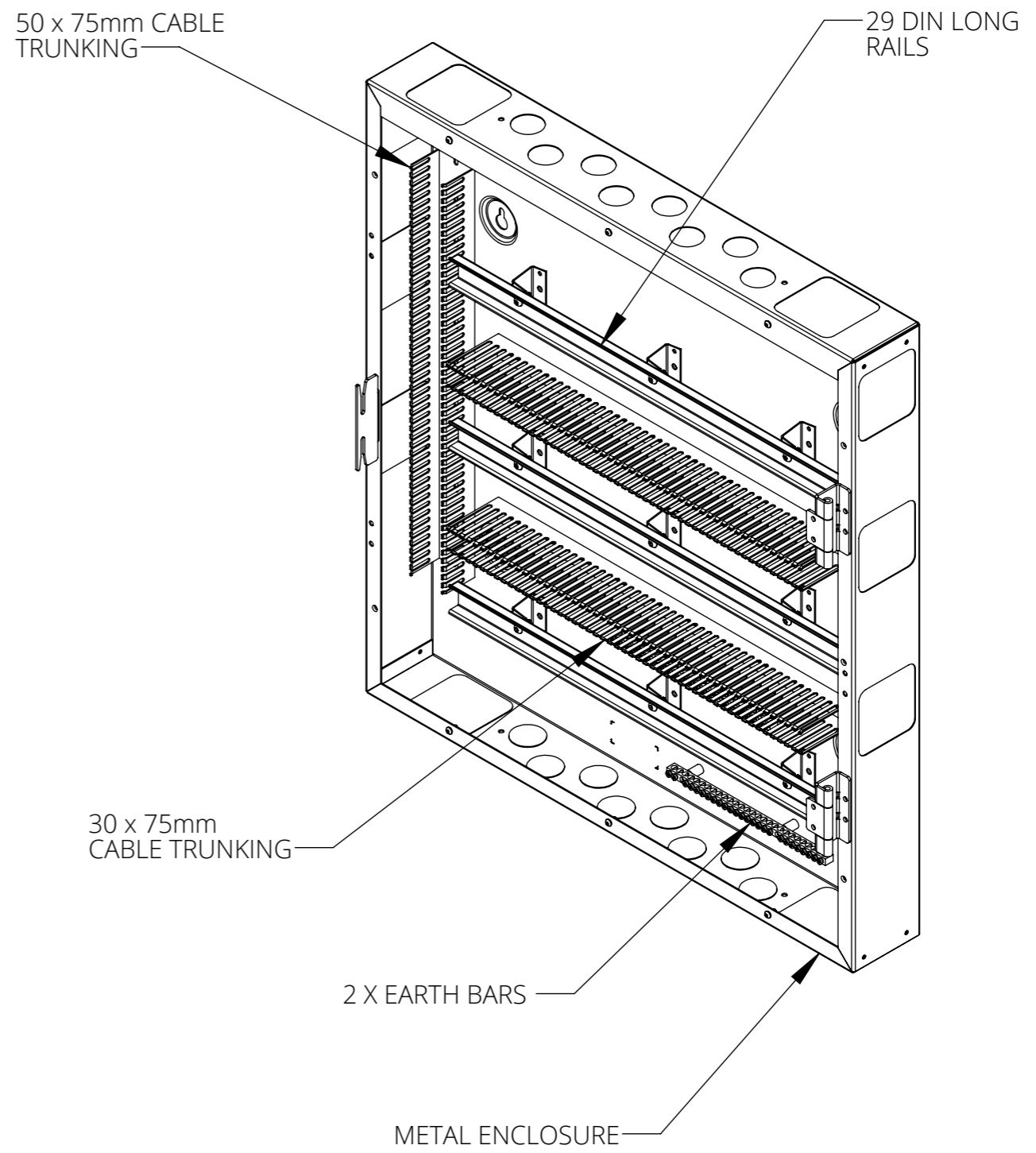
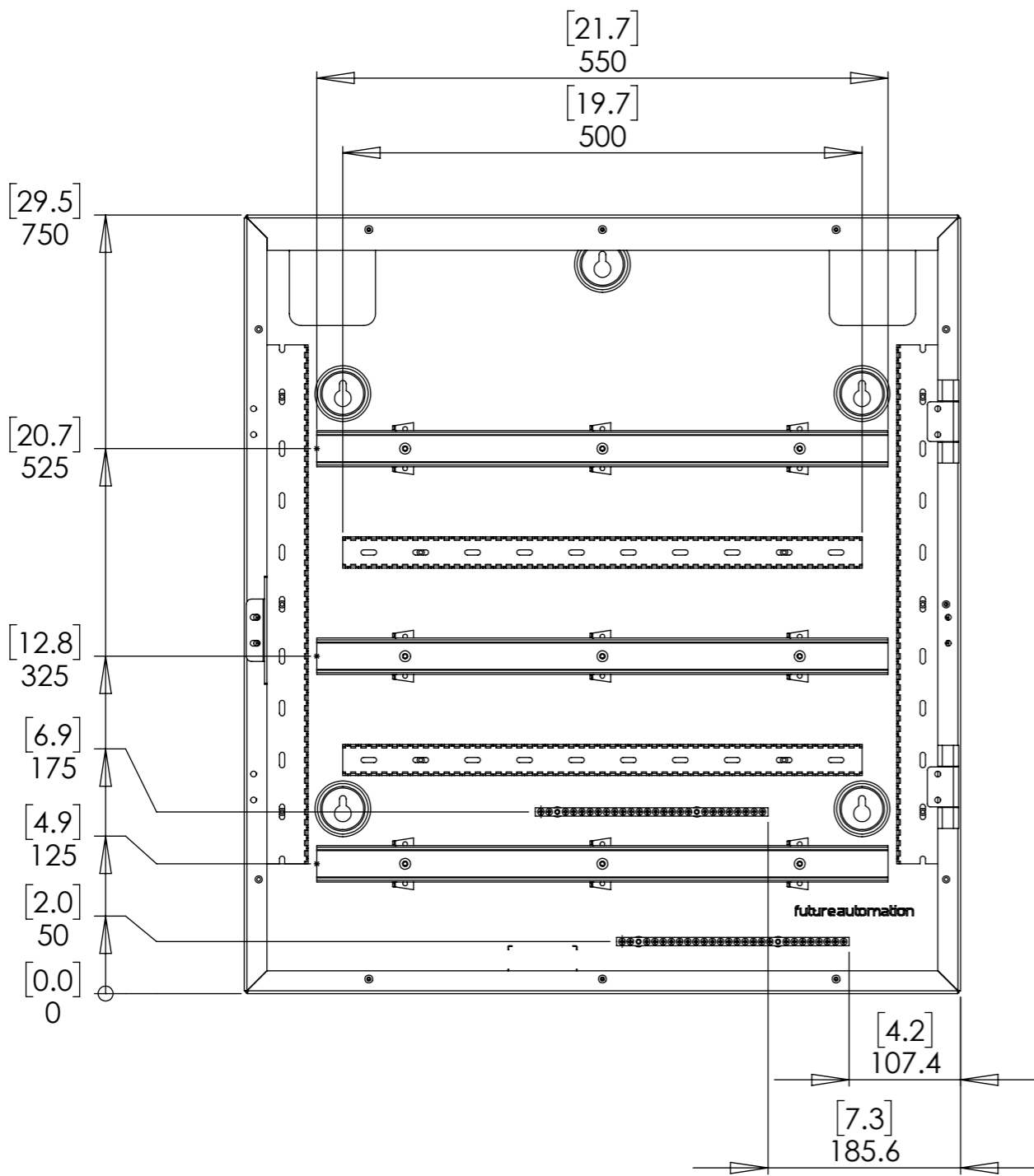
# LXN3

## LOXONE CONTROL PANEL - 3 RAIL



future automation

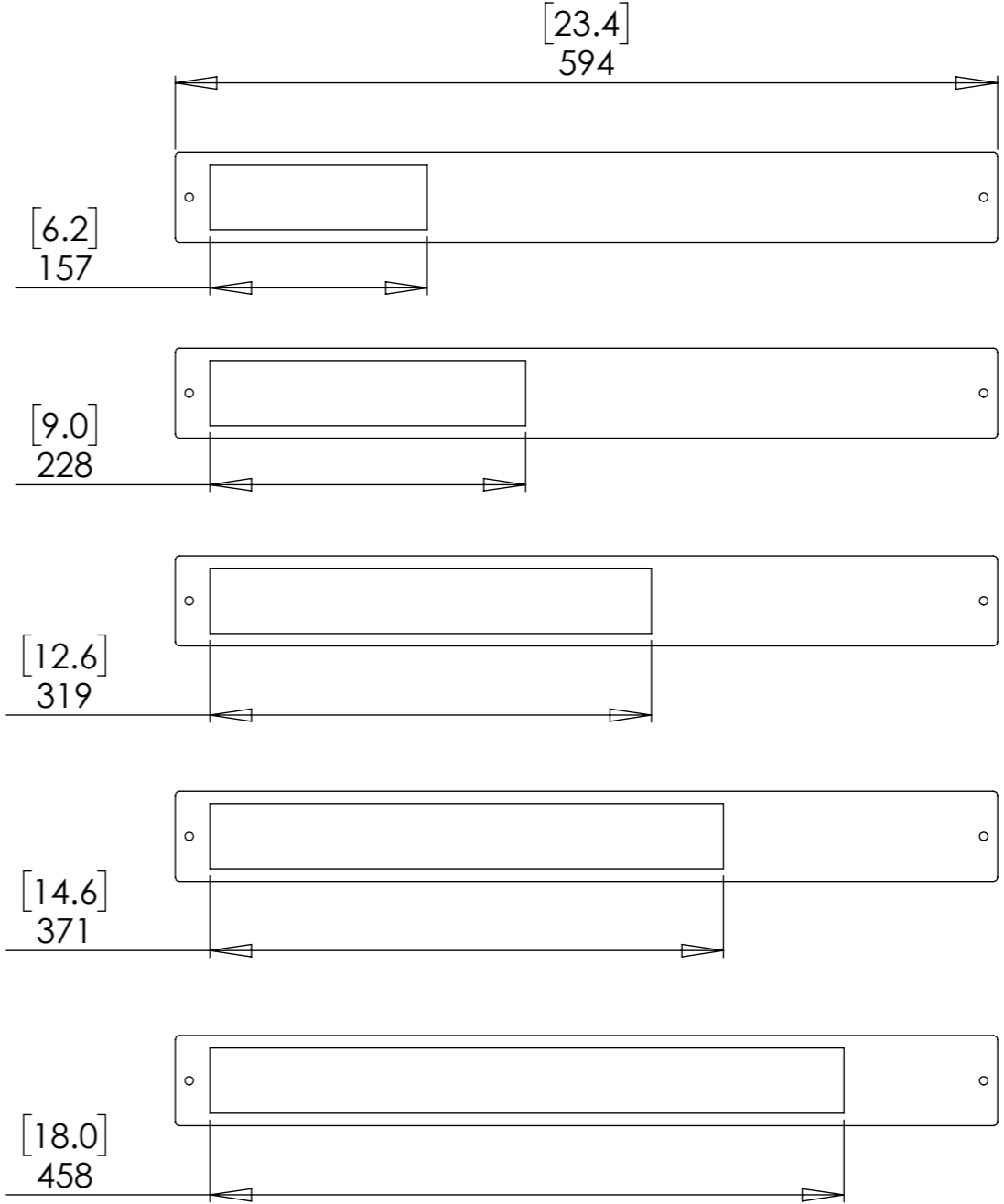
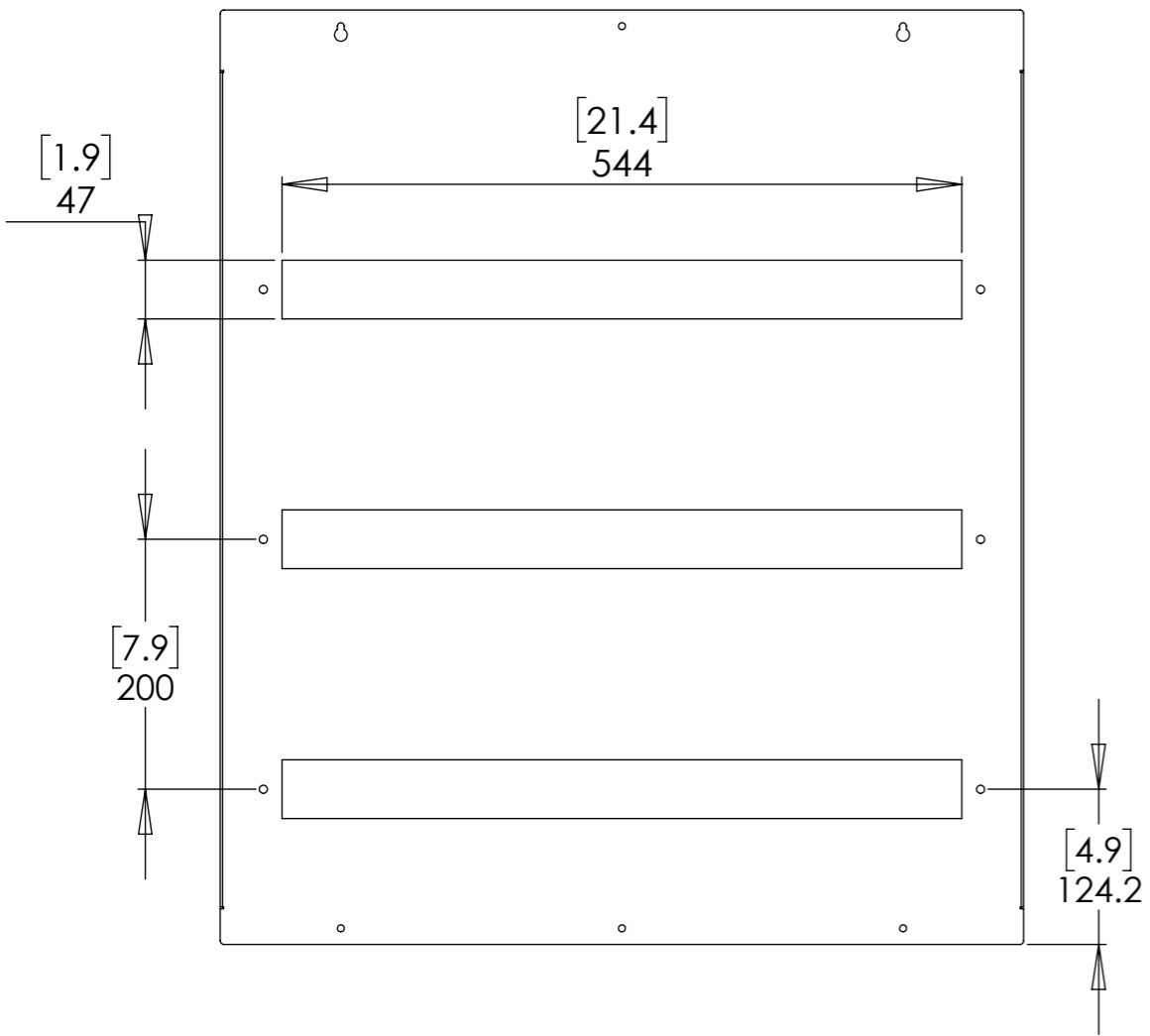
### ENCLOSURE LAYOUT



## FRONT COVER AND PANEL COVERS

Front cover and panel cover options to suit different setups

COVER PANEL CONFIGURATIONS SLOT SIZES 157, 228, 319, 371 & 458mm. ALLOWS FOR NEAT FINISHING WITH DIFFERENT SET UPS OF BREAKER AND MODULES



# LXN3

## LOXONE CONTROL PANEL - 3 RAIL



### REVERSIBLE DOOR OVERVIEW

Door shown opening towards the right hand side

In order to switch to left hand side opening, simply remove front cover panel and swap latch brackets and hinge outers over

